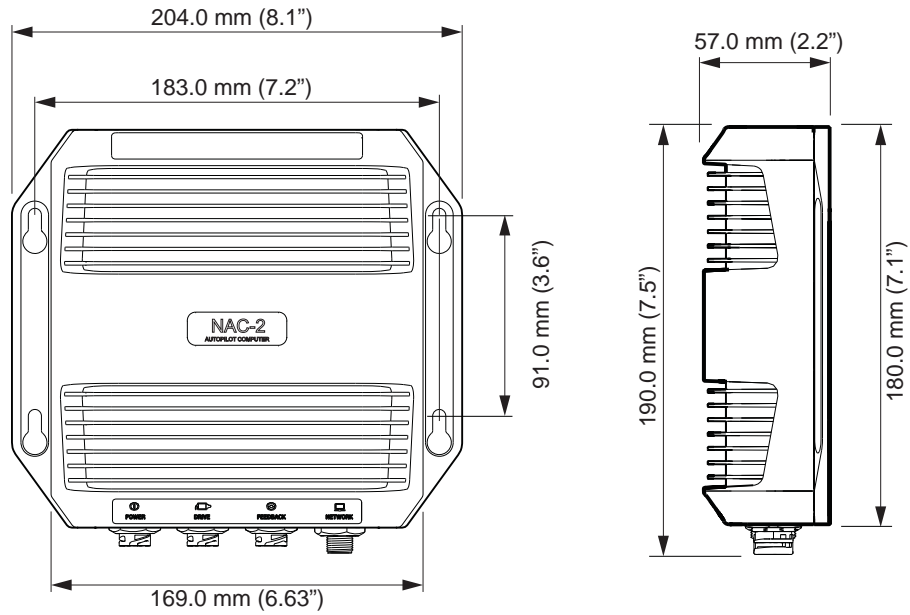
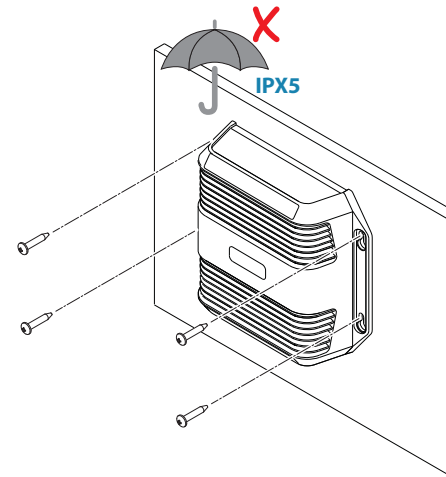


Dimensions



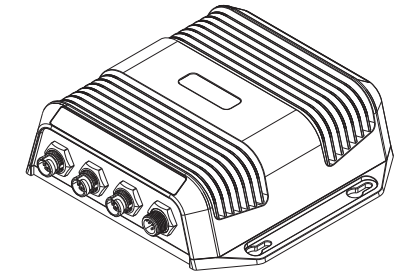
Mounting



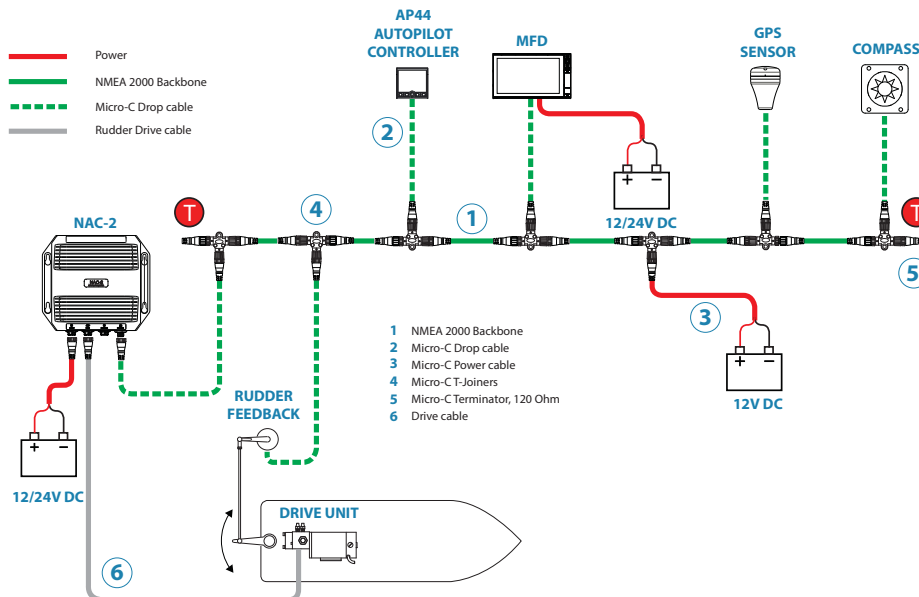
SIMRAD

B&G

NAC-2 AUTOPILOT COMPUTER INSTALLATION GUIDE



System wiring example



For setup instructions, commissioning guide, product manuals, technical specifications, certificates and declarations, refer to the product website:

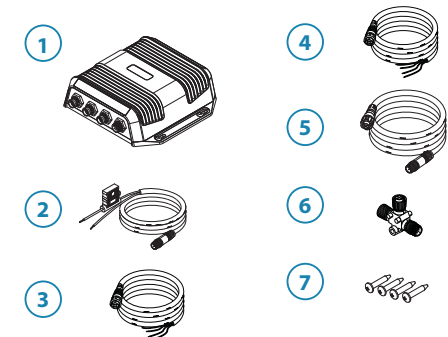
www.simrad-yachting.com

www.bandg.com



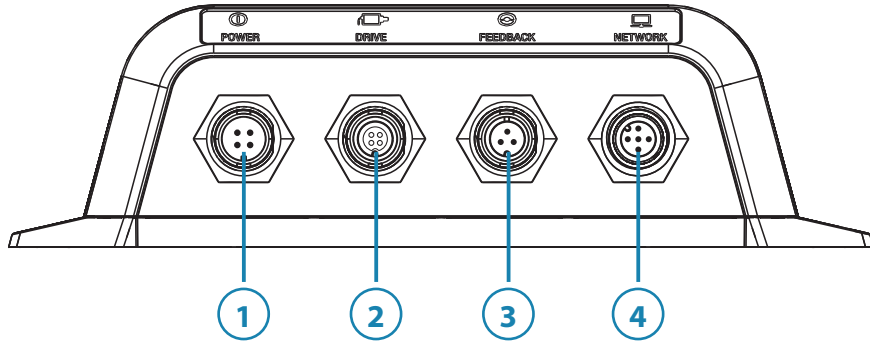
* 9 8 8 - 1 1 1 4 4 - 0 0 1 *

Parts included



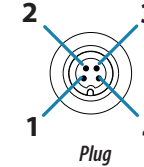
- 1 x NAC-2 Autopilot Computer - IPX5
- 1 x NAC-2 Power cable - 2 m
- 1 x NAC-2 Drive cable - 2 m
- 1 x NAC-2 Feedback cable - 2 m
- 1 x NMEA 2000 Network cable - 0.6 m
- 1 x Micro-C T-Joiner
- 4 x Fixing screws
8. Warranty card & literature pack

Connectors & Wiring

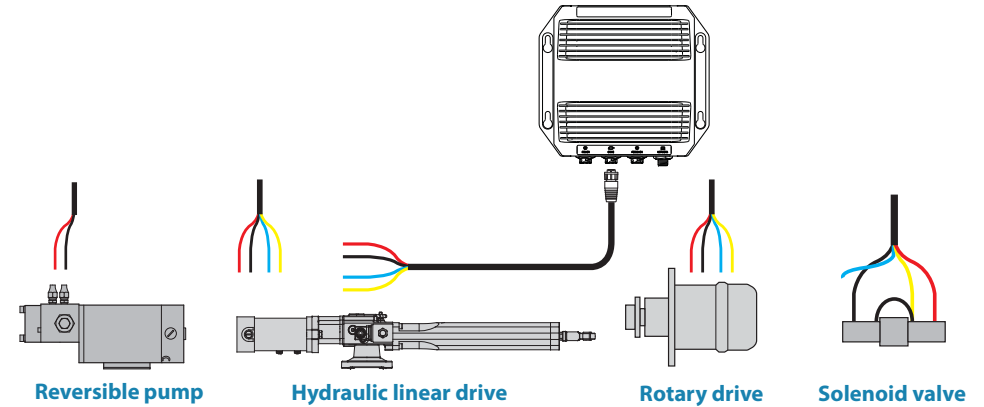


1. **Power** (12 / 24 V DC) - Max 8A/12A Continuous/Peak
2. **Drive** (Drive unit) - Max 8A/12A Continuous/Peak
3. **Feedback** (Rudder reference - Resistive feedback units only)
4. **Network** (NMEA 2000)

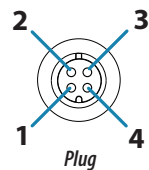
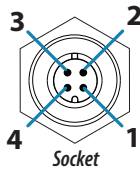
Drive (Max 8A/12A Continuous/Peak)



Key	Function	Color
1	Clutch GND/Solenoid Common	Yellow
2	Clutch	Blue
3	Motor_A	Red
4	Motor_B	Black

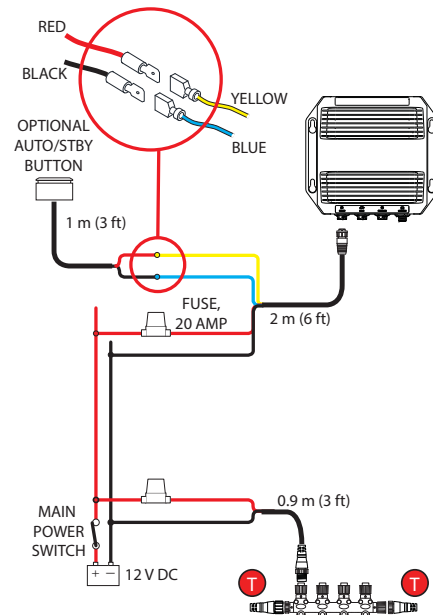


Power

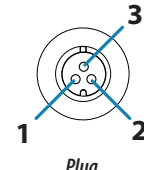
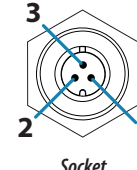


Key	Function	Color
1	-0V DC	Black
2	+ 12 / 24V DC	Red
3	Auto/ Standby button (Optional)	Yellow
4		Blue

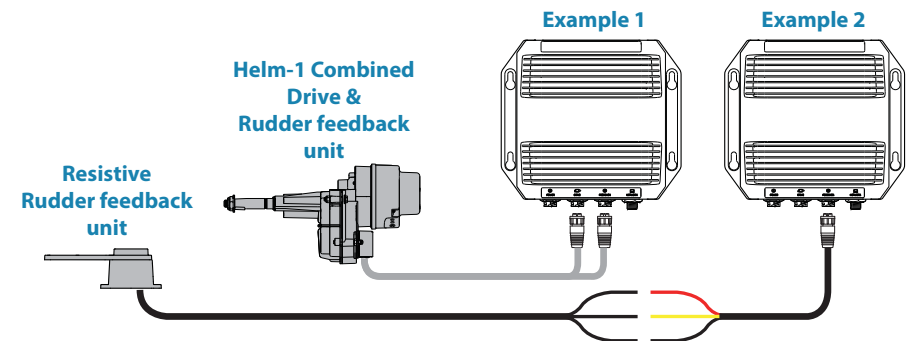
Auto/Stby button (optional)



Feedback



Key	Function	Color
1	+ 5V DC	Red
2	Signal	Yellow
3	-0V DC	Black



Note: Navico NMEA 2000 Rudder feedback units should be connected directly to the NMEA 2000 backbone.