
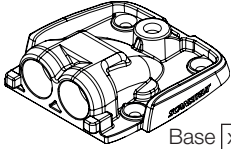
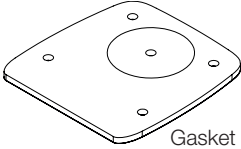
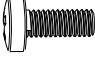
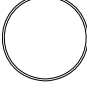
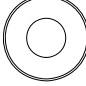

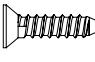
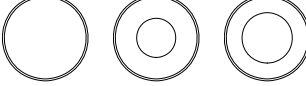

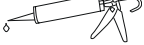
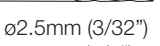

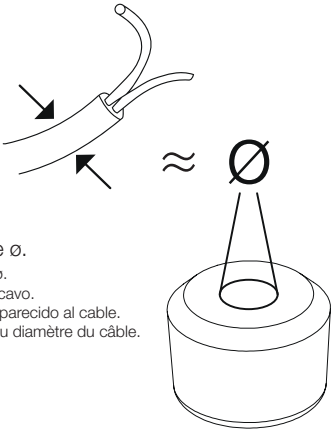
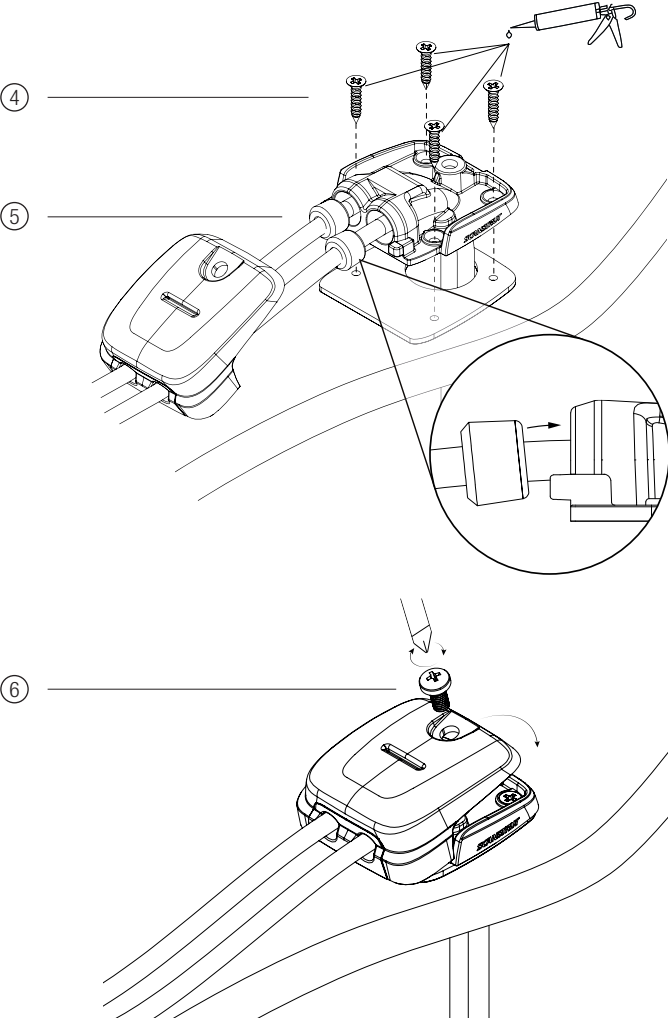


Parts List	
	Shell x1
	Base x1
	Gasket x1
	M5X10 Bolt - (Black) x1
	2x Blank
	2x 5mm
	2x 6mm
	No. 6 X16 Self tapping screw x4
	Bungs x6

Tools Required	
	Pozi Screwdriver
	Silicone
	ø2.5mm (3/32") ø3mm (1/8") Drill Bit
	ø25mm (1") Hole Saw/Drill Bit



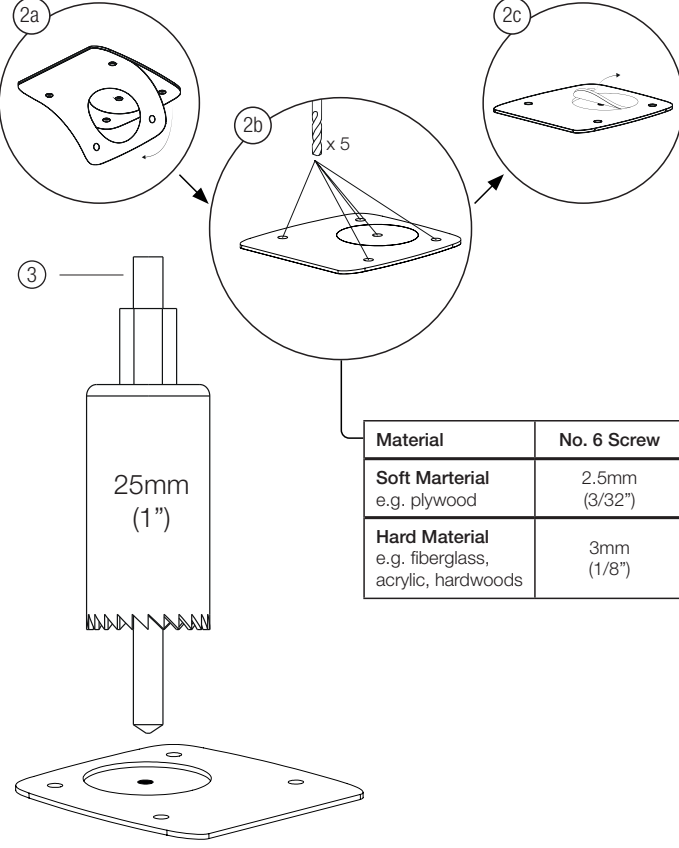
1 Choose bung closest to cable ø.
 DE - Wähle Dichtung nahe dem Kabel ø.
 IT - Scegliere il passafili adatto al ø del cavo.
 ES - Elija el tapón con el diámetro más parecido al cable.
 FR - Choisissez le joint le plus proche du diamètre du câble.



4

5

6



2a

2b

2c

3

Material	No. 6 Screw
Soft Material e.g. plywood	2.5mm (3/32")
Hard Material e.g. fiberglass, acrylic, hardwoods	3mm (1/8")

25mm
(1")

Share your installation with us.



UK & International
 +44 (0)1392531280
 sales@scanstrut.com

For further installation
 and warranty information
 please visit:
 www.scanstrut.com

USA
 +1 860 308 1416
 usasales@scanstrut.com

