

# SEAGO LIFERAFT

ISO 9650-1

sea

# Master

Model: Sea Master ISO 9650-1  
Type: Group A (-15C +65C)  
Survival pack: ISO 9650-1 (Pack 2) < 24hr  
Capacity options: 4,6,8,10,12 person  
Specification: Canister / Valise

---

## OWNERS OPERATING HANDBOOK & SERVICE LOG

---

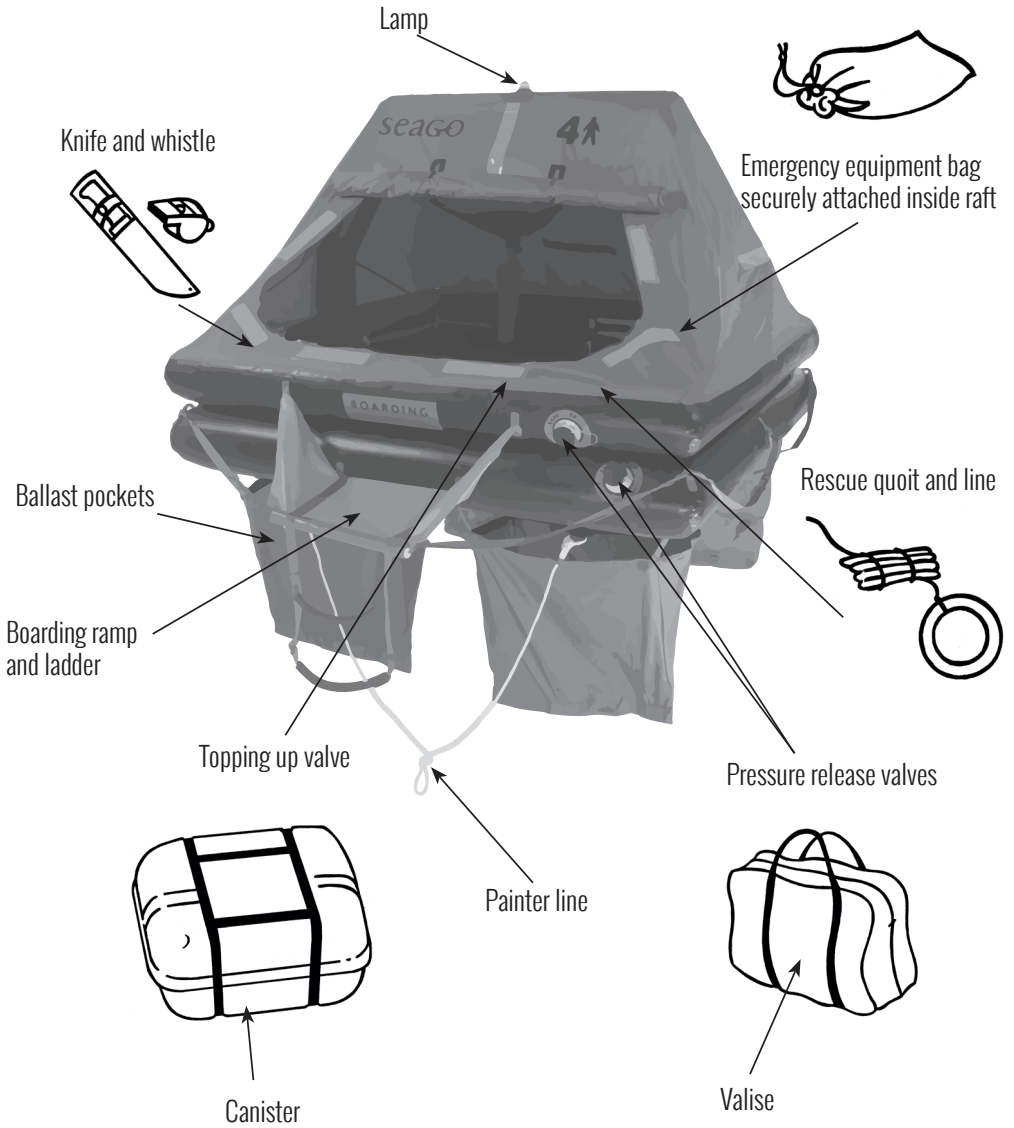
### First steps

1. Register the liferaft to activate warranty at [www.seagoyachting.co.uk/register](http://www.seagoyachting.co.uk/register) or post the registration form provided.
2. Affix service due date using stickers provided  
(1st service due 3 years from purchase date)
3. Familiarise yourself with the liferaft before stowing.
4. Read owners manual and operating handbook.

# seago®

Equip for *Adventure*

# LIFERAFT LAYOUT



# OWNERS MANUAL

## READ CAREFULLY BEFORE USE

Thank you for choosing a SEAGO liferaft- it is important that you familiarise yourself with these instructions in order to ensure correct deployment and maximum safety in the event of abandon ship becoming necessary.

You must register your liferaft with Seago to activate the 18 year warranty.

Register at: [www.seagoyachting.co.uk/register](http://www.seagoyachting.co.uk/register)

You must strictly follow the 3 year servicing intervals as specified by Seago yachting.

Note: if you are sailing outside of UK controlled waters you should check with the appropriate authorities to ensure compliance with local laws and regulations.

It is possible that more frequent servicing is required by some countries and authorities.

The manufacturers (Seago yachting) requirements for servicing do not override the need for compliance with local laws and regulations outside of UK waters.

### Important

This liferaft must be serviced and used in strict accordance with the manufacturer's instructions. Failure to follow the user instructions may result in serious injury or failure of the equipment to operate correctly.

Failure to have your liferaft serviced at an approved Seago service station and at the correct service intervals may result in failure of the equipment to operate correctly and will invalidate your warranty.

### Servicing schedule

From Date of purchase	(at new)		
1st service after year 3	(validity 3 years)	7th service after year 15	(validity 1 year)
2nd service after year 6	(validity 3 years)	8th service after year 16	(validity 1 year)
3rd service after year 9	(validity 3 years)	9th service after year 17	(validity 1 year)
4th service after year 12	(validity 1 year)		
5th service after year 13	(validity 1 year)		
6th service after year 14	(validity 1 year)		

**At the end of year 17 the raft must be decommissioned and taken out of service. NO EXCEPTIONS**

### Installation on Board

If you have any doubts as to the correct fitting or stowage of this liferaft you should seek professional advice or installation from a qualified person.

**Note:** Incorrect installation may result in a critical failure of the liferaft to operate correctly.

Never tie any cord, rope or webbing around the valise or canister as this will restrict or prevent the raft from inflating correctly.

**Valise type:** Painter line must be attached to a strong point before deployment.

**Canister type:** Painter line must be attached to a strong point at all times.

## Valise

The Valise Liferaft should be stowed in such a place clearly marked so it can be accessed quickly and easily in an emergency. If you stow in a locker the valise must have sufficient space around it to allow for any loss of vacuum to the packed raft, if a loss of vacuum occurs the packed raft will expand considerably from the original packed dimensions. Additionally the raft should be suitably stowed within the locker so as to prevent any movement of the raft caused by wave motion. Failure to prevent this movement may over time cause abrasion to the valise and possible damage to the raft.

- Do not store the valise raft near any hot pipes or allow the raft to come into contact with any chemicals such as petrol, diesel, oil or other.
- Do not stow in a locker where it might become inaccessible.
- Do not stow the valise in sunlight.

The valise is security sealed at the zipper and should never be opened by any person other than a trained / approved Seago service technician. If the security seal is not present or damaged when you purchase the raft you should not use the raft and immediately inform the retailer.

If the security seal is removed or missing between servicing intervals the warranty will be void, and you should immediately stop using the raft and return it to a qualified Seago service centre for checking.

## Canister

Ensure that in the case of deck mounting, the top is facing uppermost and the drainage hole facing down. In the case of push pit mounting, ensure that the label is facing outboard and the side drainage hole is facing down. The raft canister has drainage holes in the base and 2 sides; you must only mount the raft with the drainage holes facing down.

**Note:** Do not block the drainage holes.

The canister is security sealed at one of the weak link closures, these are covered by Velcro on the black webbing, the canister should never be opened by any person other than a trained and approved Seago service technician. If the security seal is not present or damaged when you purchase the raft you should not use the raft and immediately inform the retailer.

If the security seal is removed or missing between servicing the warranty will be void, you should stop using the raft and return it to a qualified Seago service centre for checking.

## Important

Do not remove or cut the black webbing harness prior to deployment, when the canister is deployed the weak link cords securing the black webbing harness will break and allow the raft to deploy.

Only lift the canister using the rope handles on each end. Be careful not to pull the painter line as this will activate the liferaft. Do not lift the canister using the black webbing harness, as this will cause the weak link cord to break. If the weak link cord is damaged for any reason the raft will need to be returned to a Seago approved service centre for checking.

If you wish to use this raft in conjunction with a hydrostatic release mechanism you must seek professional installation by a qualified technician, incorrect installation may cause a failure of the raft to deploy or inflate correctly.

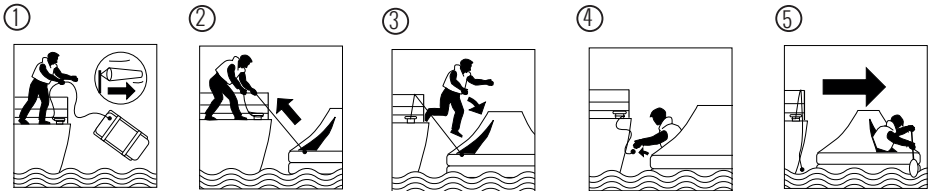
## Deployment for valise (IMPORTANT)

Do not unzip or remove from the valise bag prior to deployment. Attach the painter to a secure strong point on the boat. The total overall length of the painter is 10 meters. A red mark will be shown on the painter line when there is approximately 1 meter of painter line remaining before activation. When you have reached the end of the painter line give a sharp tug to start inflation.

## Deployment for canister (IMPORTANT)

Do not remove the webbing or open canister prior to deployment. The painter line should already be attached to a secure strong point on the boat. Release from the liferaft cradle/deck mount and allow liferaft to fall into the water. The total overall length of the painter is 10 meters. A red mark will be shown on the painter line when there is approximately 1 meter of painter line remaining before activation. When you have reached the end of the painter line give a sharp tug to start inflation.

Your SEAGO liferaft will inflate fully within approximately 2 minutes depending on conditions and temperature.



1. Ensure painter is secured to a strong fixed point i.e. a cleat. Throw the complete raft whether in Valise or Canister into water.
2. Give the painter a sharp firm tug to inflate.
3. Board raft.
4. Cut painter.
5. Paddle away from vessel.

## Boarding the liferaft

If possible, try and avoid getting wet by entering the liferaft directly from the vessel. In the event the liferaft inflates floating upside down, you will be able to see a webbing strap on the upturned floor. Use this webbing strap to right the liferaft. To do this from the water move around the liferaft to the point marked 'RIGHT HERE', pull on the webbing strap from this point to turn the liferaft over and climb into the raft using the boarding ladder.

Only attempt to right the liferaft from the "RIGHT HERE" location to avoid the heavy gas cylinder from hitting you during this process.

If any other crew member then fails to enter the liferaft from the vessel directly or falls from the liferaft, use the floating quoit and rescue line to pull them close.

Once everyone is on board, remove the knife which is stowed in a pocket near the canopy entrance and cut the painter line. Take great care not to damage the raft buoyancy tubes when cutting the painter line.

Remove the paddles from the safety kit and paddle away from the vessel as quickly as possible.



Righting the liferaft from the water



Recovery using quoit and line

## Manoeuvring the Liferaft

The paddles supplied in your safety kit are only suitable for small manoeuvres; this is due to the water ballast pockets causing essential drag. The raft can be stabilized using the drogue which is stowed near the canopy entrance; this prevents the liferaft from drifting too quickly. When the liferaft is taken in tow, remember to retrieve the drogue and stow on board.

## Repair and Maintenance of the Liferaft in the event of deployment.

In the event your liferaft starts to deflate, use the pump to stem the flow and keep the tubes firmly inflated. Should the liferaft get a puncture, use the conical bungs provided to affect a repair.

## How to Signal your location

Your liferaft is fitted with a canopy mounted light, three red hand flares, 2 parachute rocket flares and a torch. During daylight hours the canopy light should be switched off at the battery housed on the top canopy tube. During the hours of darkness switch the light back on. When letting the red hand flares off (which are used to pinpoint your location), only do so when the rescue vessel is in sight. However, extreme caution must be exercised when letting them off: - follow these rules carefully:

**Pyrotechnic flares are highly dangerous. Fully read and understand the instructions marked on the flare before use. Extreme care should be taken when using a flare.**

**Ensure the flare trajectory is pointing away from you.**

- Always point away from the raft
- Always aim upwards
- Always lean out of the raft through the canopy exit
- Always hold at arm's length
- Warning flares are highly dangerous and can cause serious burns if used incorrectly.
- Do not touch the flare or allow it to come into contact with the raft during or after it has extinguished.

The torch can be used for signalling Morse code using the flash button supplied.

The international signal for help is S.O.S. ●●● \_ \_ \_ ●●●

## Important tips

- Always ensure your liferaft servicing is up to date
- Stow your liferaft in an easily accessible position
- If possible, prepare a waterproof grab bag with additional survival equipment, which should be stowed in a position close to the liferaft. Some items that could be considered:

Spare spectacles

Spare water sachets

Spare lifejacket

Additional flares

Additional seasickness tablets

EPIRB

Biscuit rations

Comprehensive survival manual

First Aid Kit



---

## SERVICE LOG

---



## Instructions on how to keep servicing records

1. Every liferaft has two service log booklets:
  - One to be put in the liferaft next to the equipment;
  - One to be kept on board the vessel.The two booklets must be kept up to date at every service interval.
2. The service log booklets of a liferaft always stay with the liferaft to which they were issued.
3. The liferaft is delivered complete with the regulation equipment and signalling equipment. This equipment should always be kept with the liferaft.
4. The periodic service schedule operations to be carried out are laid down in the corresponding notes for each type of liferaft. They must be completed only by an authorised Seago service stations, the list of which may be obtained by request to *Seago Yachting Ltd.* or at [www.seagoyachting.co.uk](http://www.seagoyachting.co.uk)  
Seago Yachting is not liable for any servicing operation carried out by an unauthorised service station.
5. In case of loss, theft, or ownership a copy of the booklet (in duplicate) must be requested from *Seago Yachting Ltd.* who will send a new copy (this will be chargeable).

## Specification

<b>Type</b>	
<b>Class</b>	
<b>Serial number</b>	
<b>Packing capacity /valise or canister</b>	
<b>Approval by notified body</b>	
<b>Date</b>	

## Inflation system

<b>Test certificate number</b>	
<b>Cylinder serial number</b>	
<b>Net weight</b>	
<b>Weight of CO2 or N2 Pressure</b>	
<b>Gross weight without operating head</b>	
<b>Type of operating head</b>	

# Service schedule and record

In addition to filling in your service log below, a separate certificate of service will be issued by your Seago approved service agent.

---

## 1st Service (3 years from first owner purchase)

<b>Service date</b>	
<b>Service station number</b>	
<b>Service engineer number</b>	
<b>Service station stamp</b>	

## 2nd Service (6 years)

<b>Service date</b>	
<b>Service station number</b>	
<b>Service engineer number</b>	
<b>Service station stamp</b>	

## 3rd Service (9 years)

<b>Service date</b>	
<b>Service station number</b>	
<b>Service engineer number</b>	
<b>Service station stamp</b>	

**4th Service (12 years annual approval only)**

<b>Service date</b>	
<b>Service station number</b>	
<b>Service engineer number</b>	
<b>Service station stamp</b>	

**5th Service (13 years annual approval only)**

<b>Service date</b>	
<b>Service station number</b>	
<b>Service engineer number</b>	
<b>Service station stamp</b>	

**6th Service (14 years annual approval only)**

<b>Service date</b>	
<b>Service station number</b>	
<b>Service engineer number</b>	
<b>Service station stamp</b>	

**7th Service (15 years annual approval only)**

<b>Service date</b>	
<b>Service station number</b>	
<b>Service engineer number</b>	
<b>Service station stamp</b>	

**8th Service (16 years annual approval only)**

<b>Service date</b>	
<b>Service station number</b>	
<b>Service engineer number</b>	
<b>Service station stamp</b>	

**9th Service (17 years annual approval only/end of service life)**

<b>Service date</b>	
<b>Service station number</b>	
<b>Service engineer number</b>	
<b>Service station stamp</b>	

Modell:	Sea Master ISO 9650-1
Typ:	Gruppe A (-15 C +65 C)
Überlebenspaket:	ISO 9650-1 (Paket 2) < 24 Std
Kapazitätsoptionen:	4, 6, 8, 10, 12 Personen
Spezifikation:	Container / Tragetasche

---

## GEBRAUCHSANLEITUNG UND WARTUNGSPROTOKOLL

---

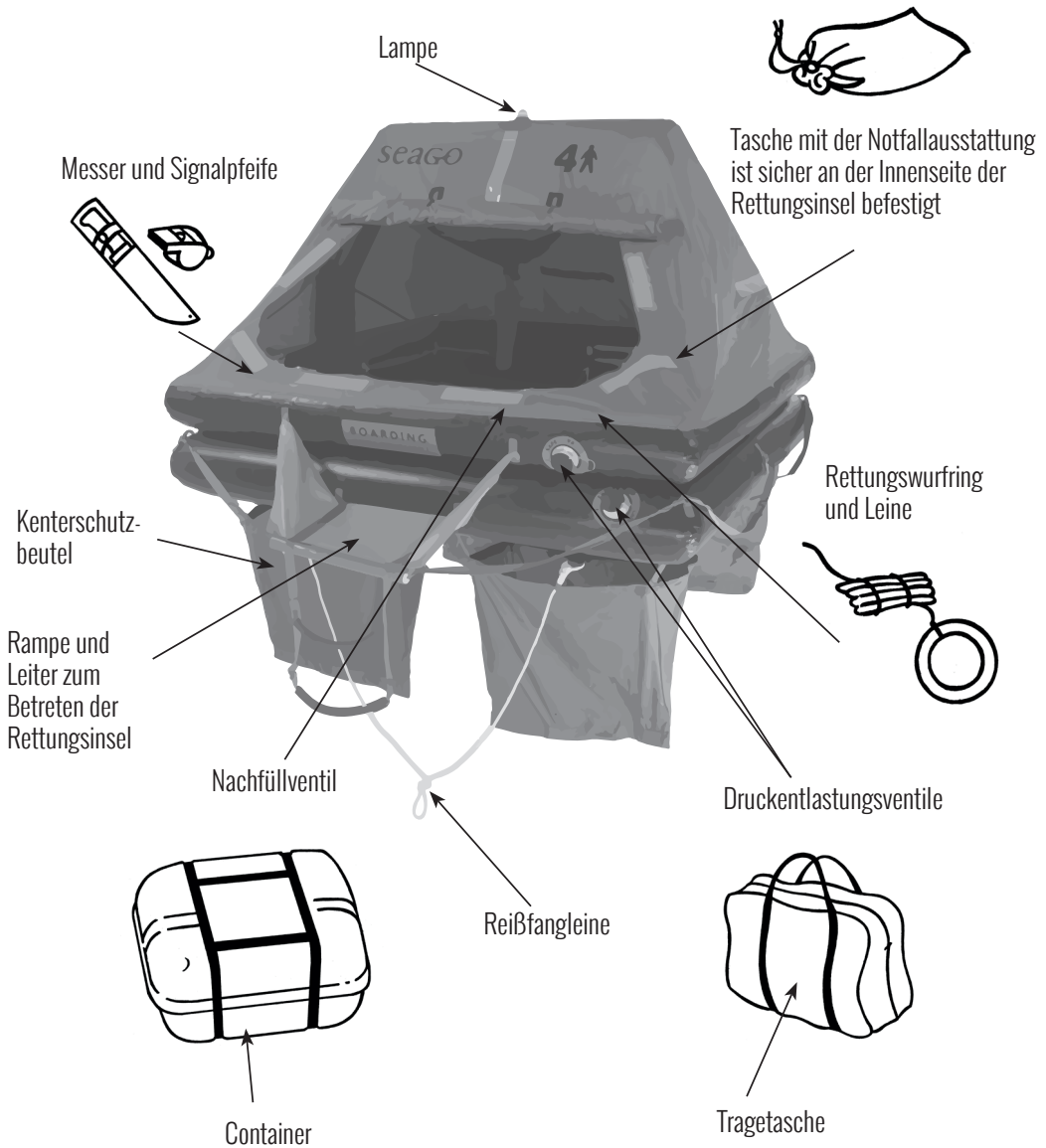
### Die ersten Schritte

1. Registrieren Sie die Rettungsinsel unter [www.seagoyachting.co.uk/register](http://www.seagoyachting.co.uk/register), um die Garantie zu aktivieren oder senden Sie das beiliegende Registrierungsformular per Post an uns.
2. Kleben Sie die beiliegenden Aufkleber mit dem Fälligkeitsdatum der Wartung auf (1. Wartung ist 3 Jahre nach dem Kaufdatum fällig)
3. Machen Sie sich mit der Rettungsinsel vertraut, bevor Sie diese verstauen.
4. Lesen Sie die Gebrauchsanleitung und das Handbuch.

**seago**<sup>®</sup>

Equip for *Adventure*

# GESTALTUNG DER RETTUNGSINSEL



# GEBRAUCHSANLEITUNG VOR DEM EINSATZ SORGFÄLTIG LESEN

Vielen Dank, dass Sie sich für eine SEAGO Rettungsinsel entschieden haben. Es ist sehr wichtig, dass Sie sich mit dieser Gebrauchsanweisung vertraut machen, um den richtigen Einsatz und die höchstmögliche Sicherheit zu gewährleisten, wenn Sie das Schiff aufgrund eines Notfalls verlassen müssen. Sie müssen Ihre Rettungsinsel bei Seago registrieren, um die 18-jährige Garantie zu aktivieren.

Registrieren Sie die Insel unter: [www.seagoyachting.co.uk/register](http://www.seagoyachting.co.uk/register)

Sie müssen das von Seago Yachting vorgeschriebene 3-Jahres-Wartungsintervall strikt einhalten.

Hinweis: Wenn Sie außerhalb britischer Hoheitsgewässer segeln, müssen Sie die örtlichen Gesetze und Vorschriften bei den zuständigen Behörden erfragen und ihre Einhaltung sicherstellen.

Möglicherweise verlangen einige Länder und Behörden eine häufigere Wartung.

Die Vorschriften des Herstellers (Seago Yachting) zur Wartung haben keinen Vorrang vor örtlichen Gesetzen und Vorschriften außerhalb britischer Hoheitsgewässer.

## Wichtig

Diese Rettungsinsel muss in strikter Übereinstimmung mit den Anweisungen des Herstellers gewartet und eingesetzt werden. Wenn die Anweisungen in der Gebrauchsanleitung nicht beachtet werden, kann es zu schweren Verletzungen oder zu einer Fehlfunktion der Ausrüstung kommen.

Wenn Sie die Rettungsinsel nicht bei einer zugelassenen Seago Kundendienstwerkstatt warten lassen, kann es zu einer Fehlfunktion der Ausrüstung kommen und Ihre Garantie verfällt.

## Wartungszeitplan:

Ab dem Kaufdatum (neu)

- |  |  |
|--|--|
| 1. Wartung nach dem 3. Jahr (3 Jahre gültig) | 7. Wartung nach dem 15. Jahr (1 Jahr gültig) |
| 2. Wartung nach dem 6. Jahr (3 Jahre gültig) | 8. Wartung nach dem 16. Jahr (1 Jahr gültig) |
| 3. Wartung nach dem 9. Jahr (3 Jahre gültig) | 9. Wartung nach dem 17. Jahr (1 Jahr gültig) |
| 4. Wartung nach dem 12. Jahr (1 Jahr gültig) |  |
| 5. Wartung nach dem 13. Jahr (1 Jahr gültig) |  |
| 6. Wartung nach dem 14. Jahr (1 Jahr gültig) |  |

**Ende des 17. Jahres muss die Rettungsinsel außer Betrieb gesetzt werden. KEINE AUSNAHMEN**

## Installation an Bord

Wenn Sie Fragen zur richtigen Installation und dem richtigen Verstauen dieser Rettungsinsel haben, holen Sie sich am besten fachmännischen Rat oder lassen Sie die Rettungsinsel von einer qualifizierten Person einbauen.

**Hinweis:** Eine falsche Installation kann zu einem kritischen Ausfall der Rettungsinsel führen.

Zurren Sie keine Schnur, kein Seil und keine Gurte um die Tragetasche oder den Container, denn dadurch wird ein ordnungsgemäßes Aufblasen der Rettungsinsel verhindert.

**Art der Tragetasche:** Vor dem Einsatz muss die Reißangleine an einer soliden Stelle befestigt werden.

**Art des Containers:** Die Reißangleine muss zu jeder Zeit an einer soliden Stelle befestigt sein.

## Tragetasche

Sie müssen die Tragetaschen-Rettungsinsel an einem deutlich gekennzeichneten Ort verstauen, der im Notfall schnell und einfach erreicht werden kann. Wenn Sie die Tragetasche in einer Backskiste verstauen, muss um die Tasche ausreichend Platz sein, um einen möglichen Vakuumverlust der verpackten Rettungsinsel zu berücksichtigen. Im Falle eines Vakuumverlusts dehnt sich die Rettungsinsel wesentlich aus und die Dimensionen stimmen nicht mehr mit denen im originalverpackten Zustand überein. Außerdem müssen Sie die Rettungsinsel in der Backskiste auf geeignete Weise gegen ein Verrutschen bei Seegang sichern. Wenn dieses Verrutschen nicht verhindert wird, kann es mit der Zeit zu Abrieb an der Tragetasche und zu möglichen Schäden an der Rettungsinsel kommen.

- Verstauen Sie die Tragetaschen-Rettungsinsel nicht in der Nähe von heißen Rohrleitungen. Die Rettungsinsel darf nicht mit Chemikalien wie Benzin, Diesel, Öl usw. in Berührung kommen.
- Verstauen Sie die Rettungsinsel nicht in einer Backskiste, die möglicherweise unzugänglich wird.
- Bewahren Sie die Tragetasche nicht an einem Ort mit direktem Sonnenlicht auf.

Die Tragetasche ist am Reißverschluss mit einem Sicherheitssiegel versehen, das nur von einem geschulten / zugelassenen Seago Servicetechniker geöffnet werden darf. Wenn das Sicherheitssiegel beim Kauf der Rettungsinsel beschädigt oder nicht vorhanden ist, dürfen Sie die Rettungsinsel nicht verwenden. Weisen Sie den Händler bitte umgehend auf das Fehlen oder eine Beschädigung dieses Sicherheitssiegels hin.

Wenn das Siegel zwischen Wartungsintervallen entfernt wird bzw. fehlt, erlischt die Garantie. In diesem Fall dürfen Sie die Rettungsinsel nicht mehr verwenden, sondern müssen sie zur Kontrolle an ein qualifiziertes Seago Service-Center schicken.

## Container

Achten Sie bei einer Deckmontage darauf, dass die Oberseite nach oben zeigt und das Ablaufloch nach unten zeigt.

Achten Sie bei einer Heckkorbmontage darauf, dass die Beschriftung nach Außenbord und das Ablaufloch nach unten zeigt. Der Rettungsinsel-Container hat Ablauflöcher im Boden und an 2 Seiten. Der Container darf nur mit nach unten weisenden Ablauflöchern montiert werden.

**Hinweis:** Versperren Sie die Ablauflöcher nicht.

Der Container hat ein Sicherheitssiegel an einem der Verschlüsse mit Reißöffnung. Diese Verschlüsse sind durch einen Klettverschluss auf dem schwarzen Packgurt abgedeckt. Der Container darf nur von einem geschulten und zugelassenen Seago Servicetechniker geöffnet werden. Wenn das Sicherheitssiegel beim Kauf der Rettungsinsel beschädigt oder nicht vorhanden ist, dürfen Sie die Rettungsinsel nicht verwenden. Weisen Sie den Händler bitte umgehend auf das Fehlen oder eine Beschädigung dieses Sicherheitssiegels hin.

Wenn das Siegel zwischen Wartungsintervallen entfernt wird bzw. fehlt, erlischt die Garantie. In diesem Fall dürfen Sie die Rettungsinsel nicht mehr verwenden, sondern müssen sie zur Kontrolle an ein qualifiziertes Seago Service-Center schicken.

## Wichtig

Entfernen oder durchtrennen Sie den schwarzen Packgurt erst, wenn die Rettungsinsel eingesetzt wird. Wenn der Container eingesetzt wird, reißen die Reißleinen, mit denen der schwarze Packgurt befestigt ist, und die Rettungsinsel kann aktiviert werden.

Heben Sie den Container nur an, indem Sie die Griffe an beiden Enden benutzen. Seien Sie vorsichtig, nicht an der Reißfangleine zu ziehen, da dies die Rettungsinsel aktiviert. Heben Sie den Container nicht am schwarzen Packgurt, da dies dazu führt, dass die Reißleinen reißen. Wenn die Reißleine beschädigt ist, muss die Rettungsinsel zur Prüfung an ein von Seago zugelassenes Service-Center zurückgegeben werden.

Wenn Sie diese Rettungsinsel mit einem hydrostatischen Auslösemechanismus einsetzen möchten, müssen Sie sich die Rettungsinsel von einem qualifizierten Techniker installieren lassen. Eine fehlerhafte Installation kann dazu führen, dass die Rettungsinsel nicht eingesetzt werden kann oder sich falsch entfaltet.



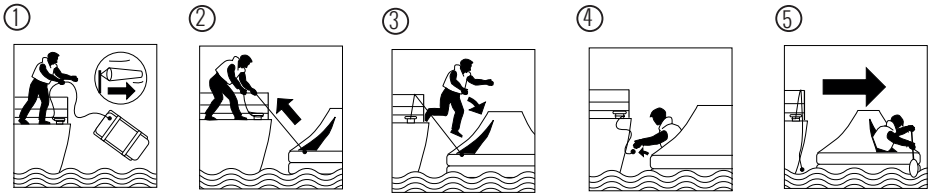
## Einsatz der Tragetasche (WICHTIG)

Vor dem Einsatz dürfen Sie die Tragetasche nicht öffnen oder entfernen. Vor dem Einsatz die Reißfangleine an einer soliden Stelle am Boot befestigen. Die Gesamtlänge der Reißfangleine beträgt 10 Meter. Eine rote Markierung an der Reißfangleine zeigt an, dass noch etwa 1 Meter übrig ist, bevor die Rettungsinsel aktiviert wird. Wenn Sie am Ende der Reißfangleine angekommen sind, ziehen Sie mit einem heftigen Ruck an der Leine, um das Aufblasen zu beginnen.

## Einsatz des Containers (WICHTIG)

Vor dem Einsatz nicht den Packgurt entfernen und nicht den Container öffnen. Vor dem Einsatz sollte die Reißfangleine bereits an einer soliden Stelle am Boot befestigt sein. Lösen Sie die Rettungsinsel von der Befestigung/vom Deck los und lassen Sie sie ins Wasser fallen. Die Gesamtlänge der Reißfangleine beträgt 10 Meter. Eine rote Markierung an der Reißfangleine zeigt an, dass noch etwa 1 Meter übrig ist, bevor die Rettungsinsel aktiviert wird. Wenn Sie am Ende der Reißfangleine angekommen sind, ziehen Sie mit einem heftigen Ruck an der Leine, um das Aufblasen zu beginnen.

Ihre SEAGO Rettungsinsel wird sich abhängig von den Bedingungen und der Temperatur innerhalb von etwa 2 Minuten komplett aufblasen.



1. Stellen Sie sicher, dass die Reißfangleine an einer soliden, festen Stelle wie zum Beispiel einer Leiste befestigt ist. Werfen Sie die gesamte Rettungsinsel, ob in Tragetasche oder Container, in Wasser.
2. Ziehen Sie an der Reißleine mit einem starken, festen Ruck um die Rettungsinsel aufzublasen.
3. Betreten der Rettungsinsel.
4. Durchtrennen der Reißfangleine.
5. Paddeln Sie von dem Schiff weg.

## Besteigen der Rettungsinsel

Vermeiden Sie es wenn möglich, nass zu werden, wenn Sie die Rettungsinsel direkt vom Schiff aus betreten. Sollte die Rettungsinsel falsch herum im Wasser sein, können Sie einen Packgurt auf der Unterseite sehen. Benutzen Sie den Packgurt, um die Rettungsinsel aufzurichten. Um dies vom Wasser aus zu tun, bewegen Sie sich auf der Rettungsinsel zu der Stelle, die mit „RIGHT HERE“ gekennzeichnet ist. Ziehen Sie am Packgurt, um die Rettungsinsel umzudrehen und klettern Sie mithilfe der Leiter in die Rettungsinsel.

Richten Sie die Rettungsinsel nur von der Kennzeichnung „RIGHT HERE“ auf, damit Sie bei dem Vorgang nicht von der schweren Gasflasche getroffen werden.

Werfen Sie Crew-Mitgliedern, die es nicht schaffen sollten, in die Rettungsinsel zu springen, oder die aus der Rettungsinsel herausfallen, den schwimmenden Wurfriem mit Rettungsleine zu und ziehen Sie sie zur Rettungsinsel.

Sobald alle an Bord der Rettungsinsel sind, nehmen Sie das in der Nähe des Verdeckeingangs verstaute Messer aus der Tasche. Durchtrennen Sie dann die Reißfangleine. Durchtrennen Sie dabei auf keinen Fall die Auftriebsschläuche.

Nehmen Sie die Paddel aus dem Notausüstungssatz und rudern Sie so schnell wie möglich vom Boot weg.



Aufrichten der Rettungsinsel  
im Wasser



Rettung mit Hilfe des Wurfriems und der Leine

## Manövrieren der Rettungsinsel

Die im Notausüstungssatz enthaltenen Paddel ermöglichen nur kleine Manöver. Das liegt daran, dass die Kenterschutzbeutel einen entsprechenden Widerstand verursachen. Sie können die Rettungsinsel mit dem Treibanker stabilisieren, der in der Nähe des Verdeckeingangs verstaut ist. Er verhindert ein zu schnelles Driften der Rettungsinsel. Wenn die Rettungsinsel abgeschleppt wird, müssen Sie vorher den Treibanker hereinziehen und an Bord verstauen.

## Reparatur und Wartung der Rettungsinsel nach einem Einsatz

Verwenden Sie die Pumpe, wenn Luft aus der Rettungsinsel entweichen sollte, um dem Ausfluss entgegen zu wirken und die Schläuche gut aufgepumpt zu halten. Verwenden Sie im Falle eines Einstichs in der Rettungsinsel die beige packten Klemmen oder konischen Pfropfen zur Reparatur.

## Signalisieren des Standorts

Ihre Rettungsinsel ist mit einer Lampe an der Abdeckung, drei roten Handfackeln, zwei Leuchtraketen und einer Taschenlampe ausgestattet. Während des Tages sollte die Lampe an der Abdeckung an der Batterie, die sich oben am Schlauch der Abdeckung befindet, ausgeschaltet werden. Schalten Sie diese Lampe bei Dunkelheit wieder ein. Lösen Sie die roten Handfackeln (die Ihren Standort anzeigen sollen) erst dann aus, wenn das Rettungsschiff in Sichtweite ist. Beim Auslösen der Handfackeln jedoch sehr vorsichtig sein! Beachten Sie sorgfältig die folgenden Regeln:

**Pyrotechnische Handfackeln und Leuchtraketen sind höchst gefährlich. Lesen Sie vor dem Gebrauch die Anweisungen auf der Handfackel vollständig durch, sodass Sie diese verstehen. Seien Sie bei der Verwendung einer Handfackel oder Leuchtrakete besonders vorsichtig. Richten Sie die Leuchtbahn der Fackel/Leuchtrakete von sich weg.**

- Richten Sie die Fackel/Leuchtrakete immer von der Rettungsinsel weg
- Richten Sie die Fackel/Leuchtrakete immer nach oben.
- Lehnen Sie sich immer aus der Insel durch die Verdecköffnung heraus.
- Halten Sie die Fackel/Leuchtrakete immer auf Armlänge.
- Handfackeln und Leuchtraketen sind höchst gefährlich und können schwere Verbrennungen verursachen, wenn sie nicht richtig verwendet werden.
- Fassen Sie die Fackel/Leuchtrakete nicht an und vermeiden Sie jeglichen Kontakt mit der Rettungsinsel, während oder nachdem sie erloschen ist.

Sie können die Taschenlampe zur Signalisierung von Morsezeichen mithilfe der Blinktaste einsetzen. Das internationale Zeichen für Hilfe ist S.O.S. ●●● \_ \_ \_ ●●●

## Wichtige Hinweise

- Sorgen Sie immer dafür, dass die Wartung Ihrer Rettungsinsel regulär durchgeführt wurde.
- Verstauen Sie Ihre Rettungsinsel an einem leicht zugänglichen Ort.
- Bereiten Sie nach Möglichkeit eine wasserdichte Tragetasche mit zusätzlicher Notfallausrüstung vor, die in der Nähe der Rettungsinsel aufbewahrt wird. Diese Tasche könnte folgende Gegenstände enthalten:

Ersatzbrillen  
Ersatzwasserbeutel  
Ersatzrettungsweste  
Zusätzliche Fackeln  
Zusätzliche Tabletten gegen Seekrankheit  
EPIRB (Notfunkbake)  
Keksrationen  
Umfangreiches Überlebenshandbuch  
Erste-Hilfe-Kasten



---

# WARTUNGSPROTOKOLL

---

## Anleitungen zur Protokollführung

1. Jede Rettungsinsel ist mit zwei Wartungsprotokoll-Heften ausgestattet:
  - Eines wird mit der Ausrüstung in der Rettungsinsel aufbewahrt;
  - Eines wird an Bord des Schiffes aufbewahrt.Beide Hefte müssen bei jedem Wartungsintervall aktualisiert werden.
2. Die Wartungsprotokoll-Hefte der Rettungsinsel gehören immer zu der Rettungsinsel, für die sie ausgestellt wurden.
3. Die Rettungsinsel wird vollständig geliefert und enthält die Regulierungs- und Signalisierungsausrüstung. Diese Ausrüstung sollte immer mit der Rettungsinsel zusammen aufbewahrt werden.
4. Die regelmäßigen Wartungsplanvorgänge werden in den entsprechenden Hinweisen für jede Art Rettungsinsel angegeben. Die Wartungen dürfen nur von einer berechtigten Seago Wartungsstelle durchgeführt werden. Eine Liste der Wartungsstellen kann auf Anfrage bei *Seago Yachting Ltd.* oder unter [www.seagoyachting.co.uk](http://www.seagoyachting.co.uk) angefordert werden. Seago Yachting trägt keinerlei Haftung für Wartungsvorgänge, die von einer unberechtigten Wartungsstelle durchgeführt wurden.
5. Im Falle eines Verlusts, Diebstahls oder Eigentümerwechsels muss eine Kopie des Hefts (in zweifacher Ausfertigung) von *Seago Yachting Ltd.* angefordert werden und eine neue Kopie wird Ihnen zugeschickt (kostenpflichtig).

## Spezifikation

<b>Typ</b>	
<b>Klasse</b>	
<b>Seriennummer</b>	
<b>Kapazität /Tragetasche oder Container</b>	
<b>Freigegeben durch die benannte Stelle</b>	
<b>Datum</b>	

## Aufblassystem

<b>Nummer des Prüfungszertifikats</b>	
<b>Seriennummer des Zylinders</b>	
<b>Nettogewicht</b>	
<b>Gewicht von CO2 oder N2-Druck</b>	
<b>Bruttogewicht ohne Betriebskopf</b>	
<b>Art des Betriebskopfs</b>	

# Wartungszeitplan und Aufzeichnung

Zusätzlich zum Ausfüllen des untenstehenden Wartungsprotokolls wird Ihnen ein separates Wartungszertifikat von Ihrem zugelassenen Seago-Dienstleister ausgestellt.

---

## Erste Wartung (3 Jahre nach dem Kauf durch den Erstbesitzer)

<b>Wartungsdatum</b>	
<b>Nummer der Wartungsstelle</b>	
<b>Nummer des Wartungsingenieurs</b>	
<b>Stempel der Wartungsstelle</b>	

## 2. Wartung (6 Jahre)

<b>Wartungsdatum</b>	
<b>Nummer der Wartungsstelle</b>	
<b>Nummer des Wartungsingenieurs</b>	
<b>Stempel der Wartungsstelle</b>	

## 3. Wartung (9 Jahre)

<b>Wartungsdatum</b>	
<b>Nummer der Wartungsstelle</b>	
<b>Nummer des Wartungsingenieurs</b>	
<b>Stempel der Wartungsstelle</b>	

#### 4. Wartung (nur die jährliche Zulassung bei 12 Jahren)

<b>Wartungsdatum</b>	
<b>Nummer der Wartungsstelle</b>	
<b>Nummer des Wartungsingenieurs</b>	
<b>Stempel der Wartungsstelle</b>	

#### 5. Wartung (nur die jährliche Zulassung bei 13 Jahren)

<b>Wartungsdatum</b>	
<b>Nummer der Wartungsstelle</b>	
<b>Nummer des Wartungsingenieurs</b>	
<b>Stempel der Wartungsstelle</b>	

#### 6. Wartung (nur die jährliche Zulassung bei 14 Jahren)

<b>Wartungsdatum</b>	
<b>Nummer der Wartungsstelle</b>	
<b>Nummer des Wartungsingenieurs</b>	
<b>Stempel der Wartungsstelle</b>	

### 7. Wartung (nur die jährliche Zulassung bei 15 Jahren)

<b>Wartungsdatum</b>	
<b>Nummer der Wartungsstelle</b>	
<b>Nummer des Wartungsingenieurs</b>	
<b>Stempel der Wartungsstelle</b>	

### 8. Wartung (nur die jährliche Zulassung bei 16 Jahren)

<b>Wartungsdatum</b>	
<b>Nummer der Wartungsstelle</b>	
<b>Nummer des Wartungsingenieurs</b>	
<b>Stempel der Wartungsstelle</b>	

### 9. Wartung (nur die jährliche Zulassung bei 17 Jahren/Ende der Laufzeit)

<b>Wartungsdatum</b>	
<b>Nummer der Wartungsstelle</b>	
<b>Nummer des Wartungsingenieurs</b>	
<b>Stempel der Wartungsstelle</b>	



# RADEAU DE SURVIE SEAGO



Modèle : Sea Master ISO 9650-1  
Type : Groupe A (-15° C +65° C)  
Trousse de survie : ISO 9650-1 (trousse 2) < 24 h  
Options de capacité : 4, 6, 8, 10, 12 personnes  
Spécification : Conteneur / sac

---

## MODE D'EMPLOI DE L'UTILISATEUR ET REGISTRE DE RÉVISION

---

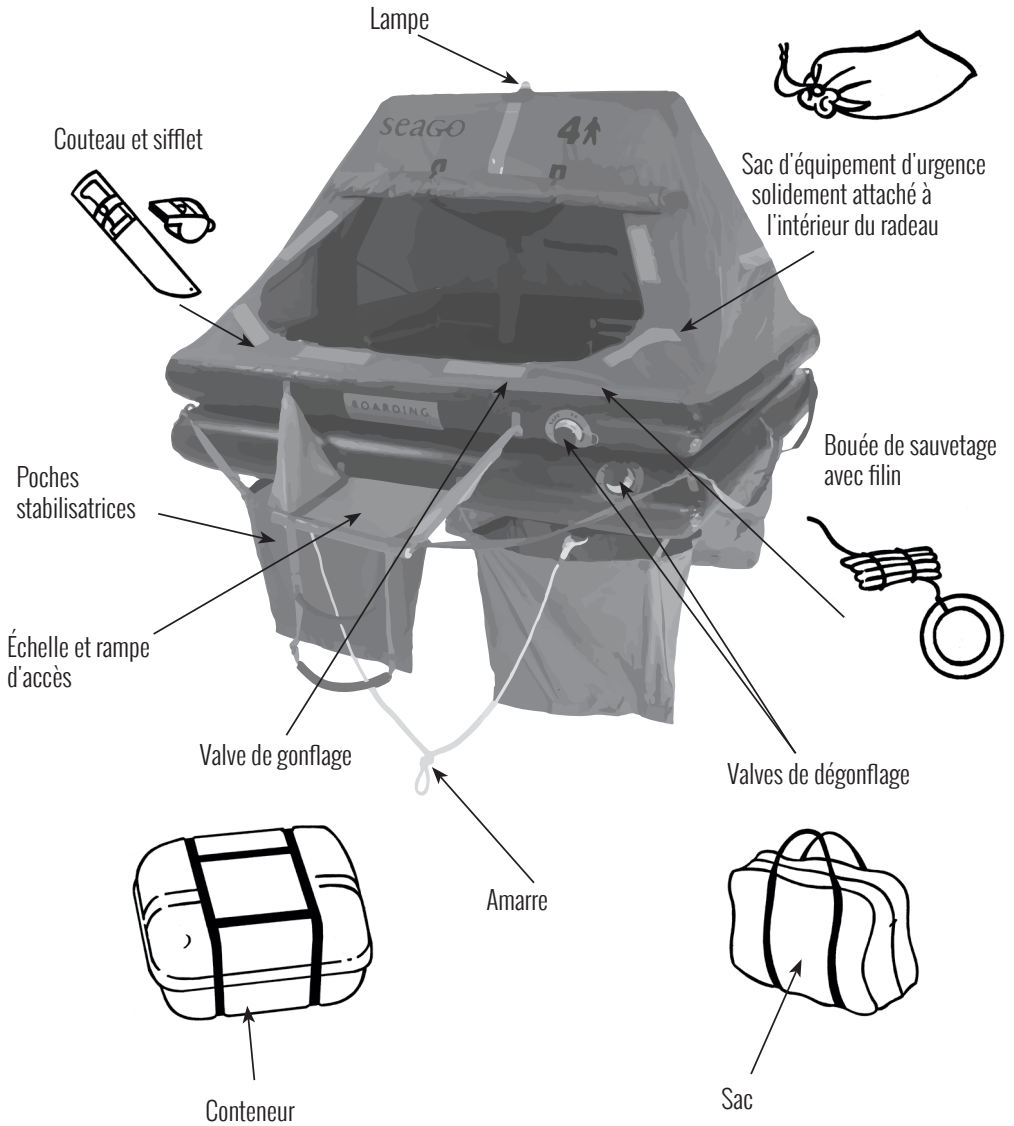
### Premiers pas

1. Afin d'activer la garantie, enregistrez le radeau de survie sur [www.seagoyachting.co.uk/register](http://www.seagoyachting.co.uk/register) ou envoyez par la poste le formulaire d'enregistrement fourni.
2. Utilisez les autocollants fournis pour indiquer la date de la prochaine révision (1<sup>ère</sup> révision au bout de 3 ans à compter de la date d'achat)
3. Familiarisez-vous avec le radeau de survie avant de le ranger.
4. Lisez le mode d'emploi et le manuel de l'utilisateur.

# seago®

Equip for *Adventure*

# DISPOSITION DU RADEAU DE SURVIE



# MANUEL DE L'UTILISATEUR

## À LIRE ATTENTIVEMENT AVANT TOUTE UTILISATION

Merci d'avoir choisi un radeau de survie SEAGO. Il est important de vous familiariser avec ces consignes afin de garantir le bon déploiement du radeau et de bénéficier de conditions de sécurité optimales s'il devient nécessaire d'abandonner votre navire. Vous devez enregistrer votre radeau de survie auprès de Seago afin d'activer la garantie de 18 ans.

Procédez à l'enregistrement sur [www.seagoyachting.co.uk/register](http://www.seagoyachting.co.uk/register)

Vous devez scrupuleusement respecter les intervalles de révision de 3 ans, comme spécifié par Seago Yachting.

Remarque : si vous naviguez en dehors des eaux britanniques, vous devriez vérifier auprès des autorités compétentes que vous êtes en conformité avec les réglementations et lois locales.

Il est possible que certains pays et autorités exigent des révisions plus fréquentes.

Les exigences du fabricant (Seago Yachting) en matière de révisions ne vous exemptent pas l'obligation de vous conformer aux réglementations et lois locales en dehors des eaux britanniques.

### Important

Le radeau de survie doit être révisé et utilisé de façon strictement conforme aux consignes du fabricant. Le non-respect des instructions d'utilisation peut causer des blessures graves ou une défaillance de l'équipement.

Si votre radeau de survie n'est pas révisé dans un centre d'entretien Seago agréé aux intervalles appropriés, cela pourrait causer une défaillance de l'équipement et votre garantie sera annulée.

### Calendrier des révisions

À compter de la date d'achat (neuf)

1<sup>ère</sup> révision au bout de 3 ans (valide 3 ans)

7<sup>e</sup> révision au bout de 15 ans (valide 1 an)

2<sup>e</sup> révision au bout de 6 ans (valide 3 ans)

8<sup>e</sup> révision au bout de 16 ans (valide 1 an)

3<sup>e</sup> révision au bout de 9 ans (valide 3 ans)

9<sup>e</sup> révision au bout de 17 ans (valide 1 an)

4<sup>e</sup> révision au bout de 12 ans (valide 1 an)

5<sup>e</sup> révision au bout de 13 ans (valide 1 an)

6<sup>e</sup> révision au bout de 14 ans (valide 1 an)

**À la fin de la 17<sup>e</sup> année, le radeau doit être démantelé et mis hors service. AUCUNE EXCEPTION**

### Installation à bord

Si vous avez des doutes quant à la manière appropriée d'installer ou de ranger ce radeau de survie, vous devriez demander conseil à un professionnel ou faire installer le radeau par une personne qualifiée.

**Remarque** : une installation incorrecte pourrait causer une défaillance critique du fonctionnement du radeau de survie.

N'attachez jamais de cordon, corde ou sangle autour du sac ou du conteneur car cela entravera le radeau ou l'empêchera de se gonfler correctement.

**Conditionnement en sac** : l'amarre doit être attachée à un point solide avant le déploiement.

**Conditionnement en conteneur** : l'amarre doit être attachée à un point solide en tout temps.

## Sac

Le radeau de survie en sac devrait être rangé dans un endroit clairement signalé, afin de pouvoir y accéder rapidement et facilement en cas d'urgence. En cas de rangement dans un casier, l'espace autour du sac doit être suffisant pour contenir le radeau si son emballage subit une perte de vide. Le cas échéant, les dimensions du radeau seront beaucoup plus grandes que celles de son conditionnement d'origine. En outre, le radeau devrait être rangé de manière appropriée dans le casier afin d'éviter que la houle ne le fasse bouger. À défaut, ces mouvements pourraient, avec le temps, causer une usure du sac et potentiellement endommager le radeau.

- Ne stockez pas le radeau en sac à proximité de tuyaux chauds et ne laissez pas le radeau entrer en contact avec des produits chimiques comme le pétrole, le diesel, l'huile ou autre.
- Ne rangez pas le sac dans un casier où il pourrait s'avérer inaccessible.
- Ne rangez pas le sac dans un endroit exposé à la lumière du soleil.

Le sac est muni d'un cachet de sécurité au niveau de la fermeture éclair et ne devrait jamais être ouvert par une personne autre qu'un technicien d'entretien Seago formé / agréé. Si le cachet de sécurité est absent ou endommagé au moment de l'achat du radeau, vous ne devriez pas utiliser ce dernier. Il convient d'informer immédiatement le revendeur de la situation.

Si le cachet de sécurité est retiré ou disparaît entre deux révisions, la garantie sera annulée. Vous devriez immédiatement cesser d'utiliser le radeau et le retourner à un centre d'entretien Seago compétent pour le faire contrôler.

## Conteneur

En cas d'installation sur le pont, veillez à ce que le dessus du conteneur soit orienté vers le haut et l'orifice de drainage vers le bas.

En cas d'installation sur le balcon arrière, veillez à ce que l'étiquette soit orientée hors-bord et l'orifice de drainage latéral vers le bas. Le conteneur possède des orifices de drainage dans sa base et sur deux côtés. Il doit toujours être installé avec les orifices de drainage orientés vers le bas.

**Remarque** : n'obstruez pas les orifices de drainage.

Le conteneur est muni d'un cachet de sécurité sur l'une des fermetures à maillon faible. Ces dernières sont recouvertes de Velcro sur les sangles noires. Le conteneur ne devrait jamais être ouvert par une personne autre qu'un technicien d'entretien Seago formé et agréé. Si le cachet de sécurité est absent ou endommagé au moment de l'achat du radeau, vous ne devriez pas utiliser ce dernier. Il convient d'informer immédiatement le revendeur de la situation.

Si le cachet de sécurité est retiré ou disparaît entre deux révisions, la garantie sera annulée. Vous devriez cesser d'utiliser le radeau et le retourner à un centre d'entretien Seago compétent pour le faire contrôler.

## Important

Ne retirez pas ou ne coupez pas les sangles noires avant le déploiement. Lorsque le déclenchement du conteneur sera activé, les cordons à maillon faible qui retiennent les sangles noires se briseront et permettront au radeau de se déployer.

Pour soulever le conteneur, utilisez uniquement les poignées en corde situées à chaque extrémité. Veillez à ne pas tirer sur l'amarre car cela déclencherait le déploiement du radeau de survie. Ne soulevez pas le conteneur à l'aide des sangles noires car cela briserait le cordon à maillon faible. Si le cordon à maillon faible est endommagé pour quelque raison que ce soit, le radeau devra être retourné à un centre d'entretien Seago agréé afin d'être contrôlé.

Si vous souhaitez utiliser ce radeau en association avec un dispositif de largage hydrostatique, l'installation doit être réalisée par un technicien qualifié. Une installation incorrecte pourrait empêcher le radeau de se déployer ou de se gonfler convenablement.

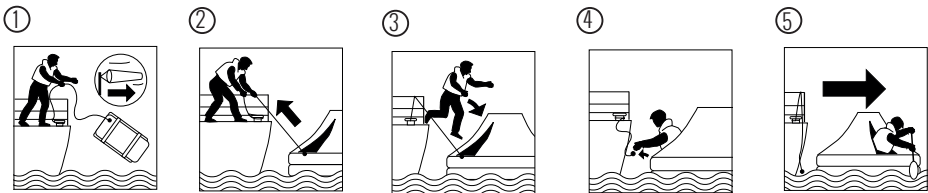
## Déploiement du radeau en sac (IMPORTANT)

N'ouvrez pas le sac ou ne retirez pas le radeau du sac avant le déploiement. Attachez l'amarre à un point solide sur le navire. L'amarre mesure une longueur totale de 10 mètres. Elle comporte une marque rouge indiquant qu'il reste environ 1 mètre d'amarre avant l'activation. Lorsque vous avez atteint le bout de l'amarre, tirez d'un coup sec pour déclencher le gonflage.

## Déploiement du radeau en conteneur (IMPORTANT)

Ne retirez pas les sangles ou n'ouvrez pas le conteneur avant le déploiement. L'amarre devrait être déjà attachée à un point solide sur le navire. Dégagez le conteneur de son berceau / support sur le pont et laissez-le tomber à l'eau. L'amarre mesure une longueur totale de 10 mètres. Elle comporte une marque rouge indiquant qu'il reste environ 1 mètre d'amarre avant l'activation. Lorsque vous avez atteint le bout de l'amarre, tirez d'un coup sec pour déclencher le gonflage.

Votre radeau de survie SEAGO se gonflera complètement en 2 minutes environ, selon les conditions et la température.



1. Veillez à ce que l'amarre soit attachée à un point fixe solide (un taquet, par exemple). Jetez à l'eau le radeau complet, qu'il soit conditionné en sac ou en conteneur.
2. Tirez d'un coup sec sur l'amarre pour déclencher le gonflage.
3. Montez à bord du radeau.
4. Coupez l'amarre.
5. Éloignez-vous du navire à l'aide des pagaies.

## Embarquer sur le radeau de survie

Si possible, embarquez sur le radeau de survie directement depuis le navire afin d'éviter de vous mouiller. Si le radeau de survie est à l'envers lors du gonflage, vous verrez une sangle sur le fond du radeau renversé. Utilisez-la pour remettre le radeau de survie à l'endroit. Pour effectuer cette opération lorsque vous êtes dans l'eau, faites le tour du radeau jusqu'à atteindre le point marqué « RIGHT HERE » (JUSTE ICI). Tirez sur la sangle au niveau de ce point pour retourner le radeau de survie, puis montez dans le radeau en utilisant l'échelle d'accès.

Tentez de remettre le radeau de survie à l'endroit uniquement depuis le point marqué « RIGHT HERE » afin d'éviter que la lourde bouteille de gaz ne vous heurte durant l'opération.

Si par la suite un autre membre d'équipage ne parvient pas à embarquer sur le radeau de survie directement depuis le navire ou bascule en dehors du radeau, utilisez la bouée et le filin de sauvetage pour rapprocher la personne du radeau. Une fois tout le monde à bord, récupérez le couteau qui est rangé dans une poche à proximité de l'entrée dans le toit et coupez l'amarre. Faites très attention à ne pas endommager les flotteurs du radeau lorsque vous coupez l'amarre. Récupérez les pagaies se trouvant dans la trousse de secours et éloignez-vous du navire aussi rapidement que possible.



Retournement du radeau de survie depuis l'eau



Sauvetage à l'aide de la bouée et du filin

## Manœuvrer le radeau de survie

Les pagaies fournies dans votre trousse de secours ne permettent de réaliser que de petites manœuvres car les poches à eau stabilisatrices ralentissent considérablement les déplacements. Le radeau peut être stabilisé à l'aide de l'ancre flottante qui est rangée à proximité de l'entrée dans le toit ; celle-ci permet d'éviter au radeau de dériver trop rapidement. Lorsque le radeau de survie est remorqué, pensez à remonter l'ancre flottante à bord et à la ranger.

## Réparation et maintenance du radeau de survie en cas de déploiement

Si votre radeau de survie commence à se dégonfler, utilisez la pompe pour compenser et garder les flotteurs bien gonflés. Si le radeau de survie est percé, utilisez les bondes coniques pour réparer les trous.

## Signaler votre position

Votre radeau de survie est muni d'une lampe montée sur le toit, de trois feux à main rouges, de deux fusées à parachute et d'une lampe de poche. Pendant les heures de clarté, la lampe du toit devrait être éteinte au niveau de la batterie logée sur le flotteur supérieur. Pendant les heures d'obscurité, allumez la lampe. Activez les feux à main rouges (qui servent à signaler précisément votre position) uniquement lorsque le navire de sauvetage est en vue. Il faut toutefois se montrer extrêmement prudent lors de leur activation. Respectez scrupuleusement les règles suivantes :

**Les signaux pyrotechniques sont très dangereux. Veuillez lire en intégralité et vous assurer de comprendre les consignes inscrites sur le produit avant de l'utiliser. Lors de l'utilisation d'une fusée éclairante, il convient de faire très attention.**

**Assurez-vous que la fusée éclairante n'est pas dirigée vers vous.**

- Dirigez toujours la fusée à l'opposé du radeau
- Dirigez toujours la fusée vers le haut
- Penchez-vous toujours à l'extérieur du radeau, à travers l'ouverture dans le toit
- Tenez toujours la fusée à bout de bras
- Les fusées d'avertissement sont très dangereuses et peuvent causer des brûlures graves si elles ne sont pas utilisées correctement.
- Ne touchez pas la fusée éclairante et ne la laissez pas entrer en contact avec le radeau, ni pendant qu'elle brûle ni après son extinction.

La lampe de poche peut être utilisée pour communiquer en code morse à l'aide du bouton de clignotement dont elle est dotée.

Le signal international pour demander de l'aide est S.O.S. ●●● \_ \_ \_ ●●●

## Conseils importants

- Veillez toujours à ce que l'entretien de votre radeau de survie soit à jour
- Rangez votre radeau de survie dans un endroit facilement accessible
- Si possible, remplissez un fourre-tout étanche avec de l'équipement de survie supplémentaire et rangez-le à proximité du radeau de survie. Exemples d'objets que vous pouvez envisager d'emporter :

Lunettes de remplacement

Rations d'eau supplémentaires

Gilet de sauvetage supplémentaire

Fusées éclairantes supplémentaires

Cachets supplémentaires contre le mal de mer

RLS

Rations de biscuits

Manuel de survie détaillé

Trousse de premiers soins



---

# REGISTRE DE RÉVISION

---



## Consignes sur la manière de tenir les registres de révision

1. Chaque radeau de survie s'accompagne de deux livrets de révision :
  - L'un à placer dans le radeau de survie avec l'équipement ;
  - L'autre à conserver à bord du navire.Les deux livrets doivent être mis à jour à chaque révision.
2. Les livrets de révision d'un radeau de survie restent toujours avec le radeau pour lequel ils ont été créés.
3. Le radeau de survie est livré avec l'équipement réglementaire et l'équipement de signalisation. Ces équipements devraient toujours être conservés avec le radeau de survie.
4. Les révisions périodiques à réaliser sont indiquées dans les notes correspondantes pour chaque type de radeau de survie. Elles ne doivent être effectuées que par l'un des centres d'entretien Seago agréés, dont la liste est disponible auprès de *Seago Yachting Ltd.* ou sur [www.seagoyachting.co.uk](http://www.seagoyachting.co.uk)  
Seago Yachting n'est responsable d'aucune révision réalisée par un centre d'entretien non agréé.
5. En cas de perte, de vol ou de changement de propriétaire, une copie du livret (en double) doit être demandée à *Seago Yachting Ltd.*, qui enverra un nouvel exemplaire (frais applicables).

## Spécification

<b>Type</b>	
<b>Classe</b>	
<b>Numéro de série</b>	
<b>Capacité / conditionnement en sac ou en conteneur</b>	
<b>Approbation par l'organisme notifié</b>	
<b>Date</b>	

## Système de gonflage

<b>Numéro du certificat d'essai</b>	
<b>Numéro de série de la bouteille de gaz</b>	
<b>Poids net</b>	
<b>Poids de CO<sub>2</sub> ou pression de N<sub>2</sub></b>	
<b>Poids brut sans la tête de bouteille</b>	
<b>Type de tête de bouteille</b>	

# Calendrier des révisions et dossier

Outre les inscriptions portées à votre registre de révision ci-dessous, un certificat de révision distinct sera émis par votre agent d'entretien agréé Seago.

---

## 1<sup>ère</sup> révision (au bout de 3 ans à compter de l'achat par le premier propriétaire)

<b>Date de la révision :</b>	
<b>Numéro du centre d'entretien</b>	
<b>Numéro du technicien d'entretien</b>	
<b>Tampon du centre d'entretien</b>	

## 2<sup>e</sup> révision (au bout de 6 ans)

<b>Date de la révision :</b>	
<b>Numéro du centre d'entretien</b>	
<b>Numéro du technicien d'entretien</b>	
<b>Tampon du centre d'entretien</b>	

## 3<sup>e</sup> révision (au bout de 9 ans)

<b>Date de la révision :</b>	
<b>Numéro du centre d'entretien</b>	
<b>Numéro du technicien d'entretien</b>	
<b>Tampon du centre d'entretien</b>	

**4<sup>e</sup> révision (au bout de 12 ans, approbation valide 1 an uniquement)**

<b>Date de la révision :</b>	
<b>Numéro du centre d'entretien</b>	
<b>Numéro du technicien d'entretien</b>	
<b>Tampon du centre d'entretien</b>	

**5<sup>e</sup> révision (au bout de 13 ans, approbation valide 1 an uniquement)**

<b>Date de la révision :</b>	
<b>Numéro du centre d'entretien</b>	
<b>Numéro du technicien d'entretien</b>	
<b>Tampon du centre d'entretien</b>	

**6<sup>e</sup> révision (au bout de 14 ans, approbation valide 1 an uniquement)**

<b>Date de la révision :</b>	
<b>Numéro du centre d'entretien</b>	
<b>Numéro du technicien d'entretien</b>	
<b>Tampon du centre d'entretien</b>	

**7<sup>e</sup> révision (au bout de 15 ans, approbation valide 1 an uniquement)**

<b>Date de la révision :</b>	
<b>Numéro du centre d'entretien</b>	
<b>Numéro du technicien d'entretien</b>	
<b>Tampon du centre d'entretien</b>	

**8<sup>e</sup> révision (au bout de 16 ans, approbation valide 1 an uniquement)**

<b>Date de la révision :</b>	
<b>Numéro du centre d'entretien</b>	
<b>Numéro du technicien d'entretien</b>	
<b>Tampon du centre d'entretien</b>	

**9<sup>e</sup> révision (au bout de 17 ans, approbation valide 1 an uniquement / fin de vie utile)**

<b>Date de la révision :</b>	
<b>Numéro du centre d'entretien</b>	
<b>Numéro du technicien d'entretien</b>	
<b>Tampon du centre d'entretien</b>	



seago®

Equip for *Adventure*

[www.seagoyachting.co.uk](http://www.seagoyachting.co.uk)