

SPREADER BOOT

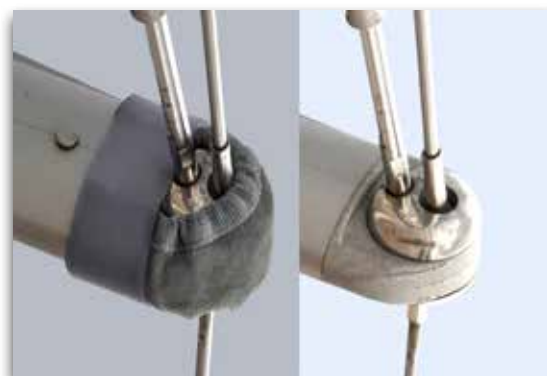


Protect your sails from wear from the spreaders. Put on a leather protection that is gentle to your sails. The spreader boot is made from leather with a rubber cord edge in which the protection is good regardless of the design of your spreaders. The inside is lined with neoprene for an extra good fit. The protection comes with a long Velcro strap to fit even wide spreaders. Sold in pairs, three sizes. See table.

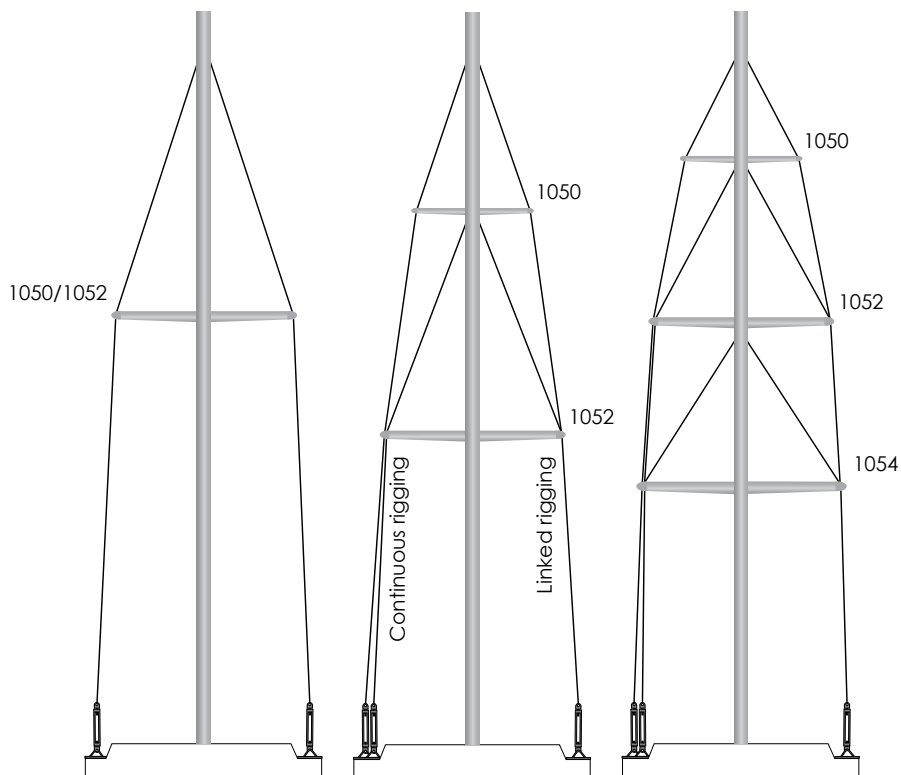
- Easy to put on and take off with Velcro
- UV-protected
- Protect your sails
- Good fitting
- Suitable for all types of spreaders
- No more duct tape

PRODUCT INFORMATION

Material: Leather, neoprene, Velcro
Size: See table
Colour: Grey
Art nr: 1050, 1052, 1054



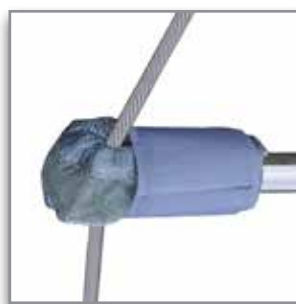
Good fitting with Velcro



Linked rig



Continuous rig



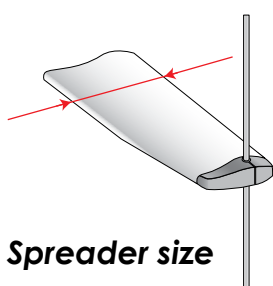
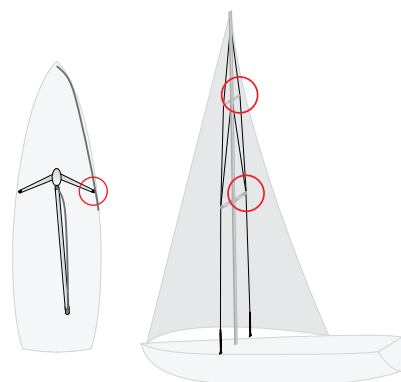
Wire rig



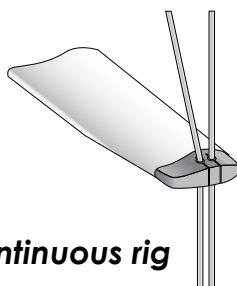
Rod rig

Fitting table

	Rig type	Spreader size
1050	Continuous rig	55 - 90 mm
1052	Continuous rig	95 - 117 mm
	Linked rig	74 - 95 mm
1054	Continuous rig	122 - 154 mm
	Linked rig	105 - 122 mm



Spreader size



Continuous rig



Linked rig

