

Gusher Galley

Mk 3 GP0550 / GP0551

To the Fitter

Check that the product is suitable for the intended application. Follow the installation instructions and ensure the the operating instructions are passed on to the end user,

To the User

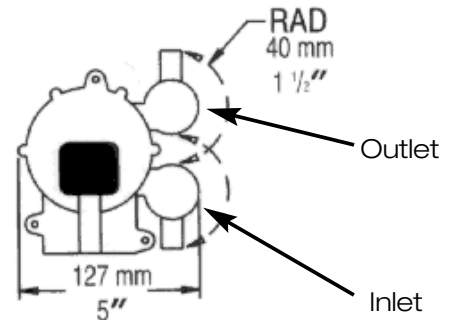
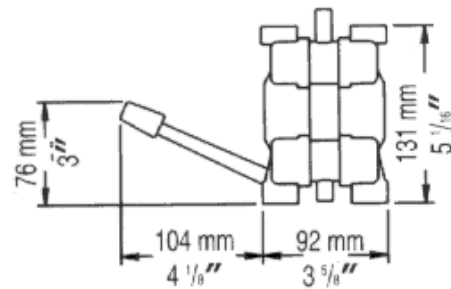
Read the following instructions carefully.

Application & Specification

This product is designed for use as a freshwater and saltwater foot pump in caravans and boats. Use for any other purpose or with any other liquid is not recommended and is entirely at the at the user's risk.

The Whale Gusher Galley can be used as a manual back-up with an electric pump provided that:

1. It is not a pressurised system.
2. It is placed between the inline electric pump and the water supply.



Right Hand Version

flow, gently for controlled flow.

Maintenance

Regular inspection of valves and seals is recommended with cleaning and replacement of components as necessary.

Service kit AK0553 is available from dealers.

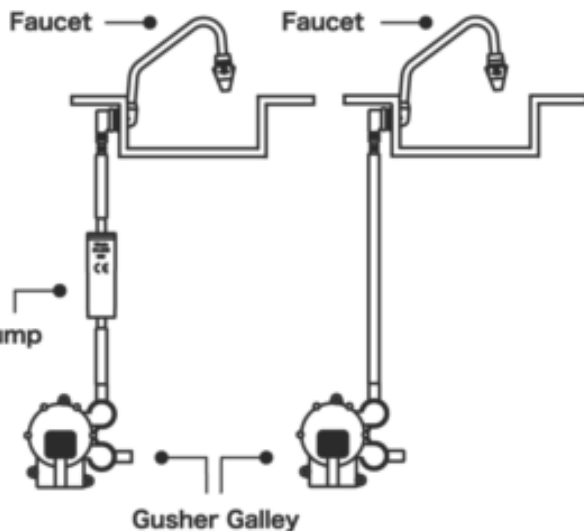
Note: For winter storage, ensure that the pump is drained completely to avoid frost damage.

Helpful Hints

- a) The pump can be serviced using Service Kit AK0553 which contains the complete set of serviceable parts for the Mk3 Gusher galley.
- b) If the pump will not pump:
 - check that the suction line is in the water
 - check that the hose connections are secure and there are no air leaks
 - check the rubber components in the pump, they may need to be replaced
 - if the outlet is an on/off faucet or tap, make sure that it is open to allow water to flow

Warranty

This Whale product is covered by 5 years warranty. Please see the enclosed document for details of our statement of limited warranty.

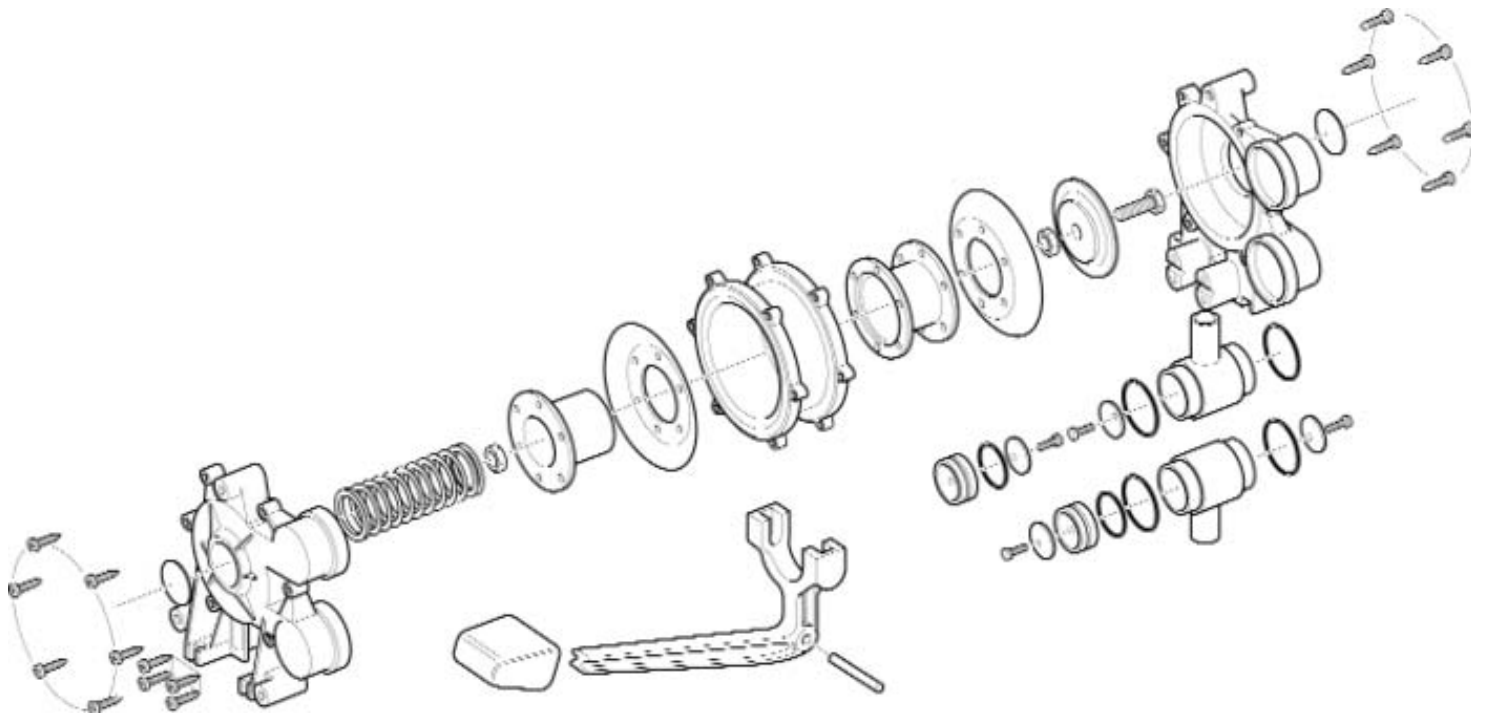


Installation

Choose an installation where the pump can be operated comfortably.

Operation

1. Read carefully before installation and use.
2. Pump up and down with your foot; vigorously for full



Munster Simms Engineering Ltd

2 Enterprise Road, Bangor, N. Ireland, BT19 7TA Tel: +44 (0)28 9127 0531

Web: www.whalepumps.com Email: info@whalepumps.com

USA Office:

Tel: +1 616 897 9241

Web: www.whalepumps.com Email: usasales@whalepumps.com

©Copyright Whale 2017 - All rights reserved. Reproduction in whole or in part without permission is prohibited. WHALE® is a registered trademark of Munster Simms Engineering Limited, Bangor, Northern Ireland trading as Whale. Whale's policy is one of continuous improvement and we reserve the right to change specifications without prior notice. Illustrations are for guidance purposes only.

Neither the accuracy nor completeness of the information contained in any Product brochure is guaranteed by the Company and may be subject to change at its sole discretion.

Please note that by contacting Whale Support you will be indicating your consent to receiving product updates, recall information, help guides and appropriate marketing messages from us via post, email or telephone unless you indicated an objection to receiving such messages.